

# VIAVI

## Xgig 8-lane CEM-slot Interposer

for PCI Express® 5.0

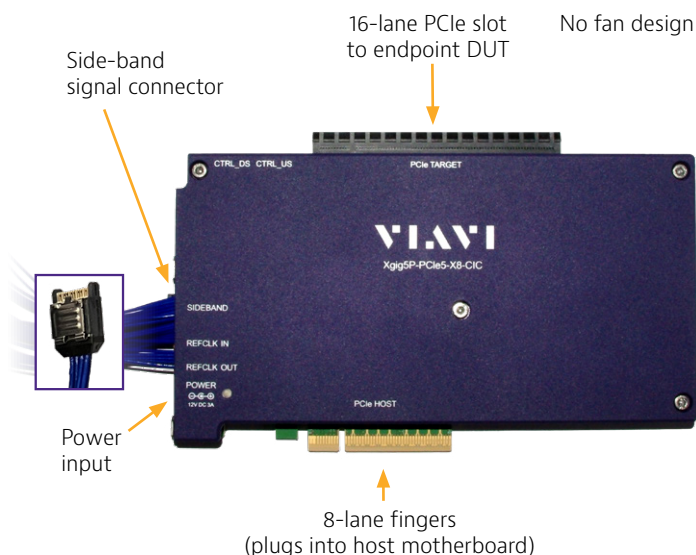
Provides a tap of data signals between a host system and adapter card for input to the VIAVI Analysis System

VIAVI Solutions Xgig® 8-lane, CEM-slot Interposer, the Xgig 5P-PCIe5-X8-CIC, provides connection between the VIAVI PCIe 5.0 Analyzer/Exciser/Jammer platform and a system under test. The Interposer installs into an 8-lane PCIe CEM slot that is common on many servers, workstations, and desktop PCs. The Interposer provides a data signal tap for the Analyzer of communication between host and endpoint devices. It operates at the PCIe 5.0 rate of 32GT/s for eight lanes (bidirectional).

This Interposer uses high-speed linear signal redrivers to buffer the system data signals across the Interposer between the PCIe slot and PCB fingers. This design ensures a clean signal is delivered to the Analyzer and DUT devices for reliable protocol capture and analysis.

### Key Features

- Supports link widths up to and including 8-lanes
- Operates at 32GT/s PCIe 5.0 data rates, and is compatible with PCIe rates of 2.5, 5.0, 8.0 and 16GT/s
- Top edge 16-lane CEM slot connector accepts all endpoint DUT adapter cards
- Bottom edge 8-lane PCB finger connector installs into host test system's 8-lane PCIe slot
- Supplied with high-quality custom data cables for Analyzer attachment
- Data path uses high-speed linear redrivers to ensure good signal capture with minimal tuning
- Supports Analyzer sideband signal triggering and capture via custom cable
- Interposer power is independent of host system
- Power supply, 120/220 input, 12V/3A output
- Custom, exchangeable brackets enable secure chassis and endpoint card installations
- LEDs provide quick indication of power and operation
- Format: Design based on the PCIe Card Electro-Mechanical (CEM) specification
- Size: 180.4mm deep x 105.1mm tall x 18.28 thick
- Works together with the VIAVI Xgig 5P16 or 5P8 analysis platform
- Provides consistent, repeatable capture of link training, equalization negotiation and other data
- Supports error injection for deep system analysis and debug
- Supported by Xgig tool suite including Trace Control, Expert™ and Serialytics™



## Applications

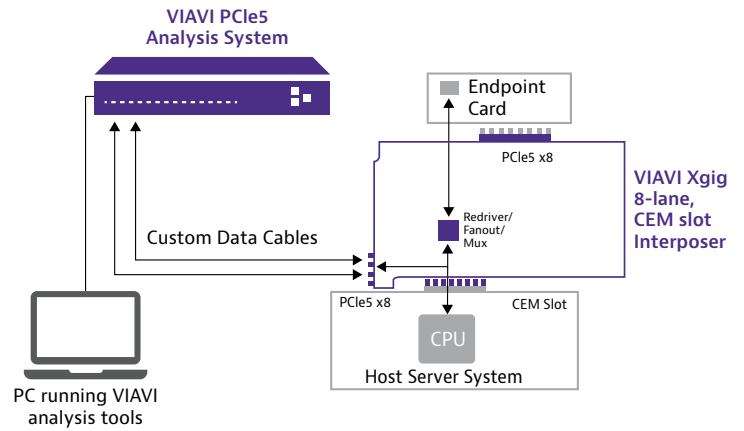
Working together with the VIAVI Xgig 5P16 or 5P8 PCIe 5.0 Analyzer/Exerciser/Jammer platform, the Interposer enables debug and verification of new ICs, new system hardware implementations, FPGA firmware, validation of system BIOS and software, and supports manufacturing test.

The Xgig5P-PCIe5-X8-CIC Interposer is inserted into an 8- or 16-lane PCIe slot in the host system, and an endpoint card is inserted into the top 16-lane slot connector creating the test data path. Cables connect the Interposer to the VIAVI protocol analysis platform chassis.

The diagram to the right indicates the signal data paths. Note that this Interposer requires an open chassis while in use.

When operating in Analyzer mode, DUT data is captured (tapped) from both the upstream and downstream data paths as inputs to the Analyzer. When operating in Analyzer/Jammer mode, the Interposer data path is switched to route data into and out of the Xgig analysis system.

In addition to this 8-lane CEM-slot Interposer, VIAVI offers a variety of other Interposer types for connecting into many popular PCIe system applications, including other CEM, U.2, M.2, EDSFF, Flying-Lead and others.



## Kit Contents

Item	Description	Qty
1	Xgig5P-PCIe5-X8-CIC, PCIe 5.0 8-lane CEM Interposer card with cables	1
2	Sideband cable for PCIe5	1
3	MCX coax cables (for optional clock)	2
4	Power supply, 120/220 input, 12V/3A output	1
5	Replaceable bracket kit	1
6	Quick Start Guide	1

## Ordering Information

Part Number	Description
Xgig5P-PCIe5-X8-CIC	8-lane, 32GT/s PCIe 5.0 CEM* Interposer
XGIG-INTPSR-C-Hx (x=1, 2, 3, 4)	x-year extended hardware warranty

\* CEM: Card Electro-Mechanical Specification (a PCIe spec)



Contact Us **+1 844 GO VIAVI**  
(+1 844 468 4284)

To reach the VIAVI office nearest you,  
visit [viasolutions.com/contact](https://viasolutions.com/contact)

© 2023 VIAVI Solutions Inc.  
Product specifications and descriptions in this document are subject to change without notice.  
Patented as described at  
[viasolutions.com/patents](https://viasolutions.com/patents)  
xgig8lane-cemslotinterposer-ds-snt-nse-ae  
30193228 901 0123

[viasolutions.com](https://viasolutions.com)